

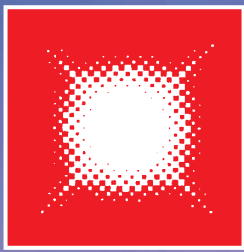


SPACE-RAY

INFRA-RED RADIANT PLAQUE HEATING



GAS FIRED PRODUCTS GROUP
-infrared technology around the world



SPACE-RAY

FROM THE INVENTORS OF THE RADIANT "U" TUBE

INFRA-RED RADIANT PLAQUE HEATING

The Organisation

The Gas Fired Products Group of Companies manufacture space and process heating systems in both the UK and North America. Space-Ray is a division of the Gas Fired Products Group.

Our Experience

Founded in the 1950's, at Space-Ray we have more than 40 years experience in the design, manufacture and application of radiant heating systems. Space-Ray radiant systems are today heating many 1000's of varied buildings from Alaska to Australia.

Our Innovation

Our first invention was the Space-Ray gas fired portable radiant Floor Model. This brought economic, clean and controllable heat to industry, where it was needed, when it was needed. We then used our experience to develop fixed overhead infra-red radiant heaters thereby releasing costly floor space and improving heat distribution - hence our next invention the infra-red radiant Cone heater. Then in 1968 Space-Ray invented and developed the unitised low intensity radiant tube heater, better known as the "U" tube. In the 1970's we designed and introduced our highly efficient radiant plaque range to again confirm Space-Ray as industry innovators.

Our Method

The best inventions develop from simple ideas, so our idea was based on the most reliable heater known - the Sun.

The Sun's heat energy radiates through space and our atmosphere, striking the Earth's surface and warming it. It is this warmed surface that then heats and raises the air temperature. We have all seen a heat haze rising from the ground on a summer's day. An easy way to experience that the Sun heats you first before the air is to move from the shade into the sunshine on a cold winter's day. You immediately feel several degrees warmer, though the air temperature is still very low. Equally in the summer, if you want to cool down, sit in the shade.

Compare Our Method

Take the two most convenient ways of heating any non domestic building - radiant and blown hot air. With a blown hot air system you must constantly spend money heating, circulating and re-heating the cold air. The warmed air rises so the blown air system heats the building from the top down, making the occupied floor area the last and most difficult place to keep warm.

The radiant system however, doesn't have to heat the air. The radiant energy first heats the

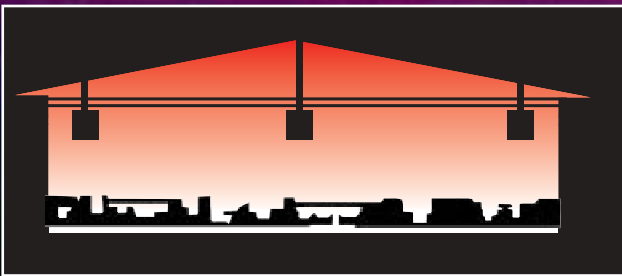
people and all the objects around the people including the floor. This effectively surrounds the occupants in a warm blanket of heat. The warmed floor and objects then act as secondary heaters raising the air temperature, just like the summer heat haze.

Better still, when the doors have been opened and the warm air lost, radiant heating wins again. The blown air heaters must start from the beginning to heat the cold air and the building from the top down, which can take a long time. With a radiant system however, the floor and objects around you maintain their blanket of warmth and the building quickly returns to operating temperature. Even while the doors are open you will feel the benefit of radiant heaters, again like the sun on a cold winter's day.

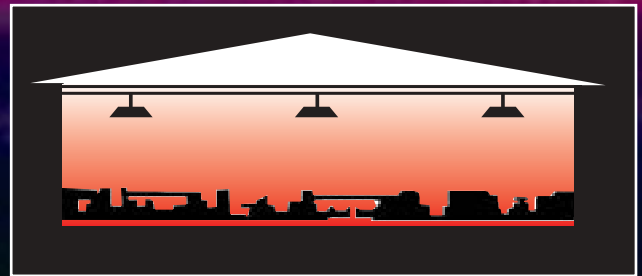
The Savings

Probably more satisfying than the superior comfort conditions you will experience with a Space-Ray radiant heating system is the knowledge that you are saving energy and money throughout the heating season.

Compared with a blown hot air system you can expect to save 30% to 50% in annual fuel costs. Some Space-Ray customers have experienced a payback of their capital investment after only one year.

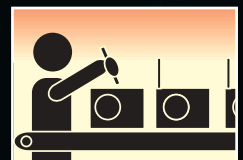
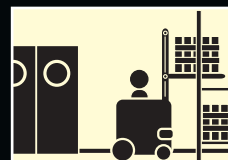


● BLOWN AIR SYSTEMS WASTE ENERGY IN THE ROOF SPACE AND HEAT YOUR WORKING AREA LAST.



● SPACE-RAY RADIANT SYSTEMS HEAT PEOPLE, SURROUNDING OBJECTS AND THE FLOOR FIRST. A BLANKET OF WARMTH IS MAINTAINED AT FLOOR LEVEL

HANGERS ● LOADING DOCKS ● WAREHOUSING ● HORTICULTURE



SPORTS ARENAS ● WORKSHOPS ● RETAILING ● SPOT HEATING

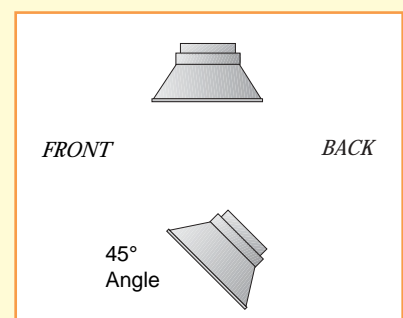
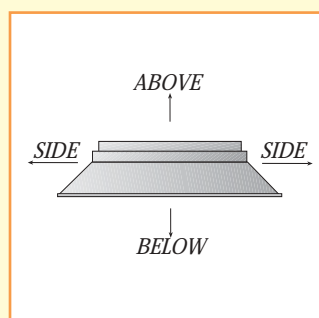
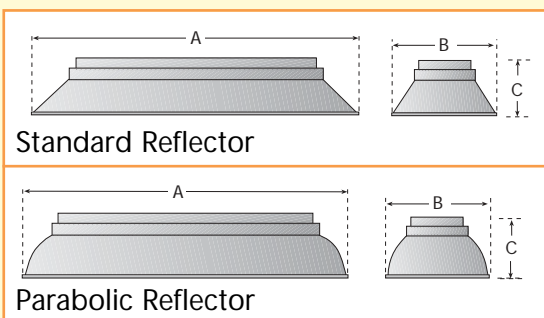
SRP PLAQUE SERIES



- Made in the UK under our ISO 9002 quality assured system
- Highly radiant efficient and controllable
- Reverberatory screen and oxide coated emitter to maximise radiant output
- 100% gas shut-off "Fail Safe" control
- Highly flexible range - complete heating scheme or perfect spot coverage
- All units supplied fully assembled* - complete with burner controls
- All units individually factory test fired and certified
- 5 year limited Ceramic Tile guarantee
- 5 year limited heater body guarantee
- Stainless Steel construction - robust and damage resistant
- Highly reliable - instant heat effect
- Mounting heights from 2.5m to 24m
- Optional angled wall mounting on adjustable brackets
- Low cost maintenance - no moving parts

*Parabolic reflectors supplied separately

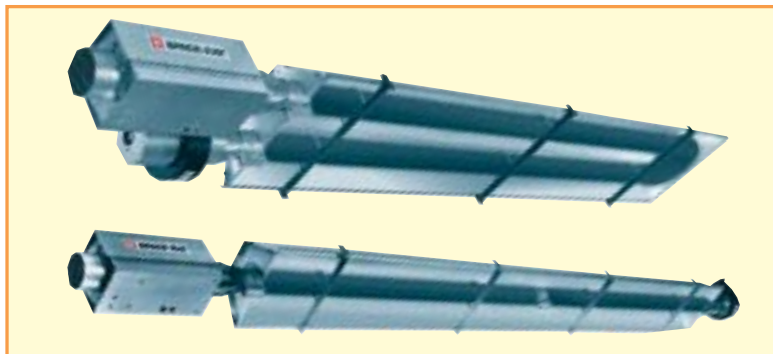
MODEL	SRP08	SRP15	SRP22	SRP30	SRP30 Hi/Lo	SRP30 & SRP30 Hi/Lo
Radiant Reflector Style	Standard					Parabolic
Input Rating kW NG	7.60	15.20	21.0	30.40	30.40/15.20	30.40 / 30.40/15.20
Input Rating kW LPG	n/a	15.0	n/a	30.0	30.0/15.0	30.0 / 30.0/15.0
Length mm - A	615mm	895mm	1175mm	1425mm		1445mm
Width mm - B	428mm	435mm			540mm	
Height mm - C	325mm	385mm			550mm	
Heater Weight	6.0kg	11.0kg	14.0kg	24.0kg		28.0kg
Spark Ignition	230v~50Hz 25W, 0.11A, Fused externally 3A					
Gas Connection	Rc 1/2					
Supply Pressure - mbar	NG - Min 17 Max 25 Propane - Min 25 Max 45 Butane - Min 20 Max 35					
Mounting Height Range (General guidance only)						
Horizontal	3m - 9m	4m - 12m	5m - 15m	6m - 18m		9m - 24m
45° Angle	2.5m - 6m	3m - 9m	3.5m - 12m	4.5m - 15m		Max 30° 8m - 21m
Minimum Clearance to Combustible Material						
Above	915mm					
Below	1220mm	2590mm	2975mm	3355mm		4270mm
Side	610mm	1145mm	1270mm	1525mm		1905mm
Front - Horizontal	610mm	915mm	1145mm	1375mm		1880mm
Back - Horizontal	610mm	915mm	1145mm	1375mm		1880mm
Front - 45°	865mm	1830mm	2085mm	2365mm		Max 30° 3025mm
Back - 45°	205mm	305mm			Max 30° 305mm	



The Space-Ray Radiant Range

Alongside our Ceramic Plaques heaters we have our comprehensive range of unitised radiant tube heaters.

Incorporating flake free, maintenance free Calorised Aluminised emitter tubes and aluminium directional reflectors these units are clean, safe and highly efficient. Whether you have a modern leisure or retail premises, or a poorly insulated industrial plant, we at Space-Ray have the energy efficient heating system to meet your need - and save you money.



Invented by Space-Ray, our "U" and "Linear" radiant tube range is available in 14 models from 9kW to 47kW with Calorised emitter tubes - safe and clean.

Space-Ray Customer Commitment

Gas Fired Products (UK) Limited is a Quality Assured company certified to BS EN ISO 9002: 1994. All our space heaters are CE tested and approved to current european standards. We are committed to our programme of ongoing product development and improvement.

We can assist you throughout your new or replacement heating project. Our representatives will discuss your aims and if required, survey the premises. We will help you with system selection, design and costing. Finally we can introduce you to an approved mechanical and electrical contractor who will install and commission your Space-Ray system.

With over 40 years experience, together with our comprehensive range of product guarantees and 1000's of energy saving customers worldwide, you can specify Space-Ray with confidence and stamp your heating problem file "SOLVED".

If you would like further information please call us - or simply photocopy this page, fill in your details and fax it to us.

NAME:.....

ADDRESS:

TEL:

FAX:

Please telephone me.....

PLEASE SEND ME DETAILS ON:

Space-Ray Tube heaters.....

TEL: 01473 830 551

FAX: 01473 832 055



SPACE-RAY

Gas Fired Products (UK) Ltd.

Chapel Lane Claydon, Ipswich, Suffolk IP6 0JL
Telephone: (01473) 830551 Fax: (01473) 832055

GAS FIRED PRODUCTS, INC.
305 DOGGETT STREET, CHARLOTTE, NC28236, USA
TELEPHONE: (704) 372-3485 FAX: (704) 332-5843

With the compliments of

We reserve the right to alter specifications without prior notice.